

Models T20E, T26E & E33MJ

TOUCAN® SERIES MAST BOOM LIFTS



T20E



T26E



E33MJ

Reach Specifications

Platform Height	20 ft 2 in. (6.14 m)	26 ft 5 in. (8.05 m)	32 ft 9 in. (9.98 m)
Horizontal Outreach	6 ft 6.7 in. (1.99 m)	8 ft 8 in. (2.64 m)	14 ft 6 in. (4.42 m)
Up and Over Height	16 ft 8.75 in. (5.099 m)	22 ft (6.71 m)	23 ft 6 in. (7.16 m)
Swing	360 Degrees Non-continuous	360 Degrees Non-continuous	360 Degrees Non-continuous
Platform Capacity	500 lb (227 kg)	500 lb (227 kg)	500 lb (227 kg)

Dimensional Data

Platform Size	33 x 34.5 in. (84 x 88 cm)	29 x 33 in. (73 x 84 cm)	27.5 x 43.3 in. (70 x 110 cm)
Stowed Height	6 ft 7.25 in. (2.01 m)	6 ft 6.5 in. (1.99 m)	6 ft 6.5 in. (1.99 m)
Stowed Width	39 in. (99 cm)	45 in. (1.14 m)	47.2 in. (120 cm)
Stowed Length	6 ft 11 in. (2.1 m)	9 ft 3 in. (2.81 m)	12 ft 7 in. (3.85 m)
Tailswing	6.9 in. (17.5 cm)	4 in. (10 cm)	6 in. (15 cm)
Wheelbase	3 ft 11 in. (1.19 m)	3 ft 11 in. (1.19 m)	5 ft 3 in. (1.60 m)
Weight	5,360 lb (2,431 kg)	6,834 lb (3,100 kg)	11,574 lb (5,250 kg)
Ground Bearing Pressure	209 psi (14.7 kg/cm ²)	256 psi (18.0 kg/cm ²)	287 psi (20.0 kg/cm ²)
Ground Clearance	3 in. (8 cm)	3 in. (8 cm)	3 in. (8 cm)

Chassis

Drive Speed Stowed	3.4 mph (5.5 kmph)	3.4 mph (5.5 kmph)	2.2 mph (3.6 kmph)
Drive Speed Elevated	0.43 mph (0.7 kmph)	0.43 mph (0.7 kmph)	0.43 mph (0.7 kmph)
Gradeability	25%	25%	20%
Tire Size	16 x 5 x 10.5	125 x 406	18 x 7 x 12.12
Turning Radius (Inside)	0 in. (0 m)	1 ft 10 in. (0.55 m)	60 in. (1.53 m)
Turning Radius (Outside)	5 ft 9 in. (1.75 m)	6 ft 11 in. (2.10 m)	10 ft 6 in. (3.20 m)

Power Source

Battery	24V, 225 amp-hr	24V, 240 amp-hr	24V, 930 amp-hr
Battery Charger – Output	25 amps	25 amps	55 amps
Brakes	Spring Applied	Spring Applied	Spring Applied

Features

110V-AC Receptacle in the Platform
360 Degree Non-continuous Swing
Emergency Lowering Pump
Proportional Controls
5 Degree Tilt Alarm/Indicator Light
Dual Warning Beacons

Battery Condition Indicator
All Motion Alarm
Hourmeter
Lifting Eyes
Tie-down Lugs
Horn

Accessories & Options

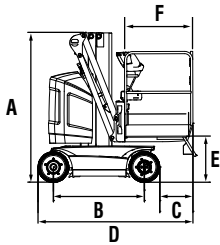
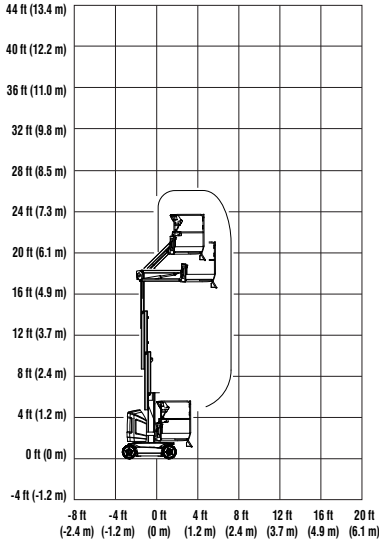
½ in. Airline to Platform*
Platform Work Lights*

* Airline and Platform Work Lights are not available in combination.

Models T20E, T26E & E33MJ

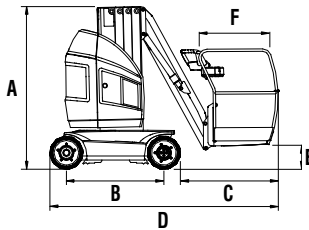
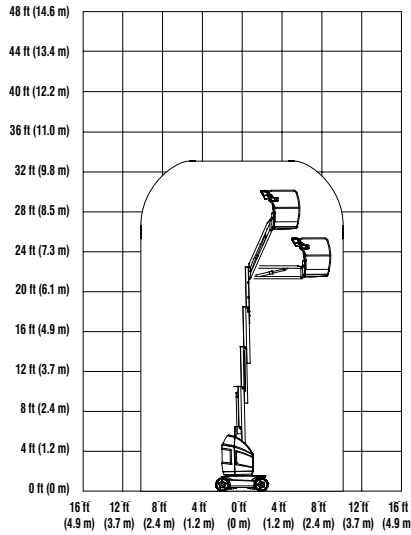
TOUCAN® SERIES MAST BOOM LIFTS

T20E



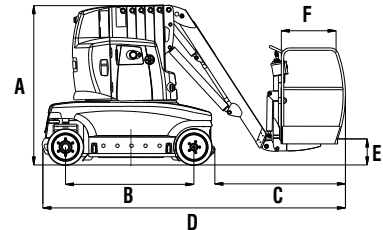
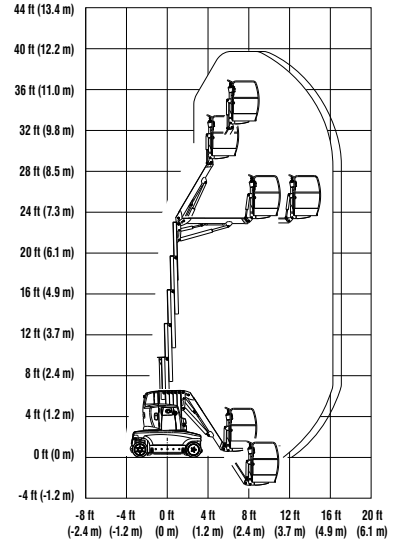
- A. 6 ft 7.25 in. (2.01 m)
- B. 3 ft 11 in. (1.19 m)
- C. 19.25 in. (49 cm)
- D. 6 ft 11 in. (2.1 m)
- E. 15.5 in. (39 cm)
- F. 33 in. (84 cm)

T26E



- A. 6 ft 6.5 in. (1.99 m)
- B. 3 ft 11 in. (1.19 m)
- C. 4 ft (1.2 m)
- D. 9 ft 3 in. (2.81 m)
- E. 15.25 in. (39 cm)
- F. 29 in. (73 cm)

E33MJ



- A. 6 ft 6.5 in. (1.99 m)
- B. 5 ft 3 in. (1.60 m)
- C. 5 ft 7 in. (1.7 m)
- D. 12 ft 7 in. (3.85 m)
- E. 16 in. (40 cm)
- F. 27.5 in. (70 cm)



The JLG "1 & 5" Warranty

JLG Industries, Inc. backs its products with its exclusive "1 & 5" Warranty. We provide coverage on all products for one (1) full year, and cover all specified major structural components for five (5) years. Due to continuous product improvements, we reserve the right to make specification and/or equipment changes without prior notification. This machine meets or exceeds applicable OSHA Regulations in 29 CFR 1910.67, 29 CFR 1926.453, ANSI A92.6-2006, and CSA Standard CAN3-B354.2-M82, as originally manufactured for intended applications.

Form No.: SS-MB-0406
R071103
Part No.: 3132127
Printed in USA

JLG Industries, Inc.
1 JLG Drive
McCconnellsburg, PA 17233-9533
Telephone 717-485-5161
Toll-free in US 877-JLG-LIFT
Fax 717-485-6417
www.jlg.com
An Oshkosh Corporation Company